

# RUGGEDNESS MEETS RELIABILITY

## TATA LPT 1518



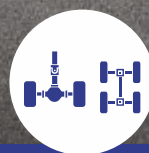
8T Payload



Sleeper/  
Day Cab



6 cyl,  
6L Cummins Engine



Available in 4x2,  
6x2 (with Tag Axle)



5yr/500,000 km  
Driveline Warranty



Standard  
ABS

# TATA LPT 1518

## ENGINE

Model	Cummins B 180 20 (Euro 2)
Capacity	6l, 6 Cylinder
Type	Turbocharged Intercooler
Power (kW at r/min)	132 @ 2,500
Torque (Nm at r/min)	650 @ 1,500

## TRANSMISSION

Model	G-750
Shift	Manual
No. of gears	6+1
First gear ratio	6.58
Top gear ratio	0.77

## DRIVE AXLE

Reduction type	Single
Final ratio	5.86

## CLUTCH

Type	Single
Diameter (mm)	380

## BRAKES

Type	Full air S-Cam
Front	Drums
Rear	Drums
Anti-lock braking system (ABS)	Standard

## MAJOR DIMENSIONS

Overall Height (mm)	2,800
Overall Length (mm)	9,047
Overall Width (mm)	2,440
Front Overhang (mm)	1,515
Wheelbase (mm)	5,195

## MASS

GVM (kg)	14,900
V (kg)	14,900
GCM (kg)	21,400
D/T (kg)	21,400
Permissible body + payload (kg)	9,500
Tare - total (T) (kg)	5,400
Permissible Rear axle weight (kg)	10,200
Permissible Front axle weight (kg)	6,000
Manufacturers Rear axle weight (kg)	10,200
Manufacturers Front axle weight (kg)	6,000

## FUEL TANK

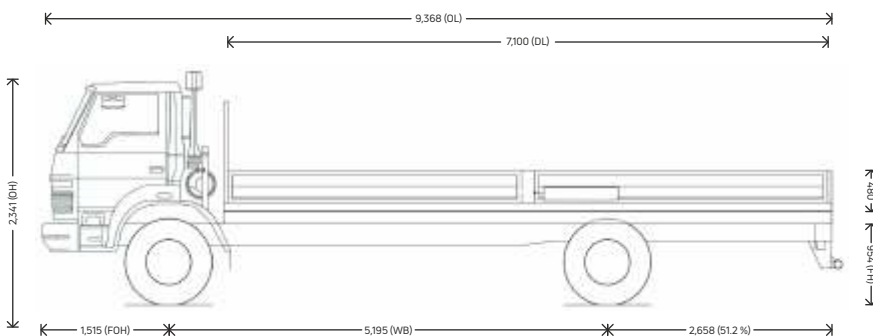
Fuel Tank Capacity (Litre)	350
----------------------------	-----

## TYRES

Tyres	11 R22.5-16PR
-------	---------------

*\*Also Available in Sleeper Cab*

Available in following applications:



\*Image is only for representation purposes.

For more information, please contact: **TATA AFRICA HOLDINGS (SA) (PTY) LTD.**

17 North Reef Road, Activia Park, Germiston, 1429, South Africa P.O. Box 901, Isando, 1600, Contact: Phone: + 27112559600, Website: <https://www.tata.co.za/>