

RUGGEDNESS MEETS RELIABILITY

TATA LPK 1518



6 CuM Tipper



6 cyl,
6l Cummins Engine



4yr/4,000 hours
Driveline Warranty



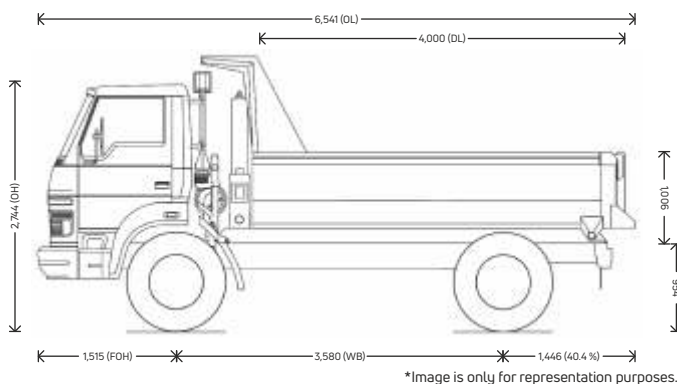
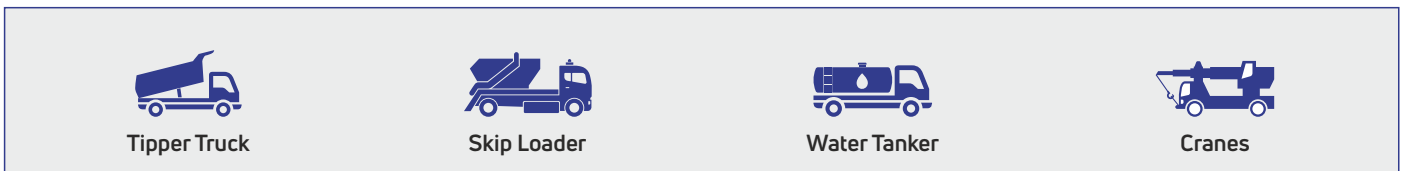
Standard
ABS

TATA LPK 1518

ENGINE	
Model	CUMMINS B5.9-180 20 (Euro 2)
Capacity	6l, 6 Cylinder
Type	Turbocharged Intercooler
Power (kW at r/min)	132 @ 2,500
Torque (Nm at r/min)	650 @ 1,500
TRANSMISSION	
Model	G-750
Shift	Manual
No. of gears	6+1
First gear ratio	6.58
Top gear ratio	0.77
DRIVE AXLE	
Reduction type	Single
Final ratio	5.86
CLUTCH	
Type	Single
Diameter (mm)	380
BRAKES	
Type	Full air S-Cam
Front	Drums
Rear	Drums
Anti-lock braking system (ABS)	Standard

MAJOR DIMENSIONS	
Overall Height (mm)	2,695
Overall Length (mm)	6,170
Overall Width (mm)	2,440
Front Overhang (mm)	1,515
Wheelbase (mm)	3,580
MASS	
GVM (kg)	16,200
V (kg)	16,200
GCM (kg)	16,200
D/T (kg)	16,200
Permissible body + payload (kg)	10,935
Tare - total (T) (kg)	5,265
Permissible Rear axle weight (kg)	10,200
Permissible Front axle weight (kg)	6,000
Manufacturers Rear axle weight (kg)	10,200
Manufacturers Front axle weight (kg)	6,000
FUEL TANK	
Fuel Tank Capacity (Litre)	225
TYRES	
Tyres	11 R22.5-16PR

Available in following applications:



For more information, please contact: **TATA AFRICA HOLDINGS (SA) (PTY) LTD.**

17 North Reef Road, Activia Park, Germiston, 1429, South Africa P.O. Box 901, Isando, 1600, Contact: Phone: + 27112559600, Website: <https://www.tata.co.za/>